

# RollerPro™

## PORTABLE SPRINKLER BASE

The 22" wide stainless steel roller of RollerPro™ provides a stable field position for supplemental watering. Designed for years of hard use, it is ideal for watering dry spots and newly seeded areas.

## features

- 22" wide stainless steel roller is weighted to prevent movement during use.
- Standard 1" FHT inlet x 1" female NPT outlet.
- 3/4" inlet and outlet adapters included.



RollerPro™ works with both 1" and 3/4" hoses and sprinklers using the included adapters. Sprinklers sold separately on page 12-13.



For larger irrigation needs (much larger), Mirage™ sprinkler heads have a throw radius up to 164 ft.!

## ordering

Part # A-RP221      RollerPro™

Included with each RollerPro™:

Part # A-BA107FM    1" FHT x 3/4" MHT Brass Hose Adapter

Part # A-BA107MF    1" MHT x 3/4" FHT Brass Hose Adapter



## LiquidPro™

### APPLICATOR GUN FOR LIQUID WETTING AGENT

When customers requested a liquid version of the PelletPro™, the proven combination of our Precision™ Cloudburst™ nozzle and the high-flow composite/stainless steel valve had us halfway there. We added a chemical-resistant, UV-protected, lightweight siphon/mixing system in between to produce an applicator gun which can cover 1000 square feet in less than a minute. Now, with unmatched speed and uniformity, you can virtually “paint” your turf with liquid wetting agent, fertilizers, and micronutrients. And like the PelletPro, LiquidPro disassembles easily to create the Cloudburst™ High-Flow Valve syringe nozzle.



With the included 1" FHT x 3/4" MHT brass adapter, LiquidPro™ works with both 3/4" and 1" hoses.

### features

- Patented Precision™ Cloudburst™ nozzle evenly distributes wetting agent ensuring uniform coverage. Made of aircraft aluminum and stainless steel.
- Lightweight, durable nylon construction weighs only 3 lbs., UV-protected and chemical resistant.
- High-density polybottle has full quart capacity with easy-to-read measurements in fluid ounces and milliliters.
- Needle Valve Metering Chamber: Engineered venturi siphon mixes proper amount of wetting agent into the water flow.
- Pistol grip design with textured handle provides sure grip surface and reduces operator fatigue.
- Adjustable metering dial offers 10 additive settings including “Water Only.”
- Metering dial can be removed to prevent tampering with a predetermined setting.



### 2 products in 1!

The Precision™ Cloudburst™ nozzle and high-flow valve can be quickly assembled to create a powerful, 48 GPM syringe nozzle.



### time saver!

Bring plenty of wetting agent, fertilizers, and micronutrients to the field all at once with our 6-pack of polybottles.

### ordering

Part # A-LPWA50K - LiquidPro™ Applicator Gun  
Part # A-LPWAB-6 - 6-Pack of 32 oz. Polybottles

# PelletPro™

## APPLICATOR GUN FOR SOLID WETTING AGENT TABLETS

We outfitted our heavy-duty surfactant applicator with a high-flow composite/stainless steel valve and a Precision™ Cloudburst™ nozzle to produce the finest wetting agent gun available. The PelletPro™ accepts all wetting agent tablets and is designed to provide powerful, yet ultra-soft spray when watering or applying surfactants to tight, hydrophobic soils.

### features

- 48 GPM capability gets the job done faster!
- Ultra Heavy-Duty - brass fittings, aircraft aluminum, stainless steel, and precision engineered glass-filled materials
- Patented Precision™ Cloudburst™ nozzle delivers large droplets in an outstanding fan pattern
- Pellet rotation (1 RPS) evenly dissolves/applies wetting agent tablet



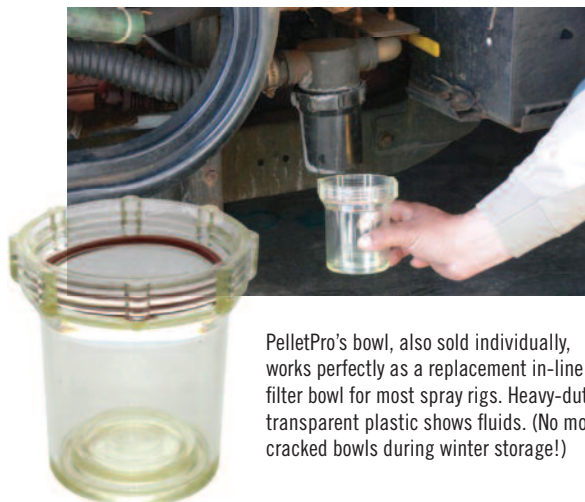
With the included 1" FHT x 3/4" MHT brass adapter, PelletPro™ works with both 3/4" and 1" hoses.

PelletPro™ rotates pellets at 1 revolution per second (RPS) to evenly dissolve/apply wetting agent



### 2 products in 1!

Remove the PelletPro™ bowl and you have a superb syringe nozzle combo: the patented, 48 GPM Precision™ Cloudburst™ with our high-flow, oversized handle valve.



PelletPro's bowl, also sold individually, works perfectly as a replacement in-line filter bowl for most spray rigs. Heavy-duty, transparent plastic shows fluids. (No more cracked bowls during winter storage!)

### ordering

- Part # A-PPWA50K PelletPro™ Applicator Gun
- Part # A-PPB In-line Filter Bowl and Gasket
- Part # A-PPBG Bowl Gasket

## Quick Coupler Valves & Keys

### SOLID BRASS, SINGLE SLOT/LUG ESSENTIALS

Built to last, Underhill valves and keys are constructed of solid red brass and stainless steel.

Valves incorporate rugged one-piece design, and feature a spring-loaded high visibility vinyl cover.



Valve: Part # QV-075R  
(3/4" FPT inlet)

Key: Part # QK-075  
(3/4" MPT x 1/2" FPT outlet)

Valve: Part # QV-100R  
(1" FPT inlet)

Key: Part # QK-100  
(1" MPT x 3/4" FPT outlet)

Valve: Part # QV-150R  
(1-1/2" FPT inlet)

Key: Part # QK-150  
(1-1/2" MPT x 1-1/4" FPT outlet)



### hose swivels

Part # HS-075 3/4" FPT x 3/4" MHT outlet

Part # HS-100 1" FPT x 3/4" MHT outlet

Part # HS-101 1" FPT x 1" MHT outlet

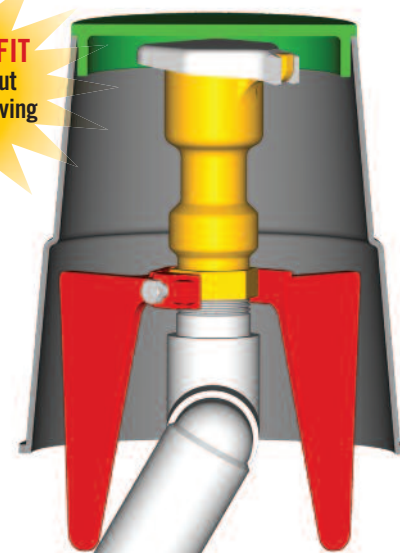
Part # HS-151 1-1/2" FPT x 1" MHT outlet

## The Claw™

### QUICK COUPLER MOTION RESTRAINT

When quick coupler valves become unscrewed from swing joints, it's more than just a hassle - it can be dangerous. The Claw™, new from Underhill, offers a simple solution. Embedded in the soil below the quick coupler, and then securely attached to its base, The Claw provides significant resistance to rotational, vertical and horizontal motion, preventing the valve from moving. Made from high strength ductile iron, this compact anchor attaches easily with a single steel bolt.

**EASY RETROFIT**  
Installs without  
cutting or removing  
valve box!



The Claw™ pictured with 1" quick coupler, key and hose swivel.

### ordering

Part # QC-075100 The Claw™ for 3/4" and 1" valves

Part # HS-150 The Claw™ for 1-1/2" valves

# Impact Sprinklers

## SOLID BRASS, ULTRA-RELIABLE WORKHORSES

For reliable, trouble-free, high-performance year after year, you just can't beat our brass impact sprinklers. Available in full circle and full/part circle, in inlet sizes of 3/4", 1" and 1-1/4"

### features

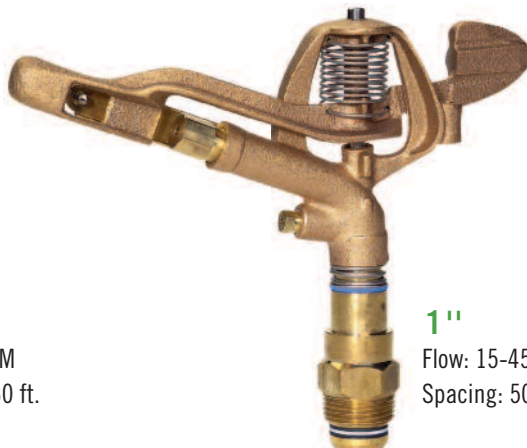
- Solid brass construction
- Stainless steel drive spring
- Bearing assembly hood for longer wear life
- Chemical resistant bearing seals
- Solid brass nozzle



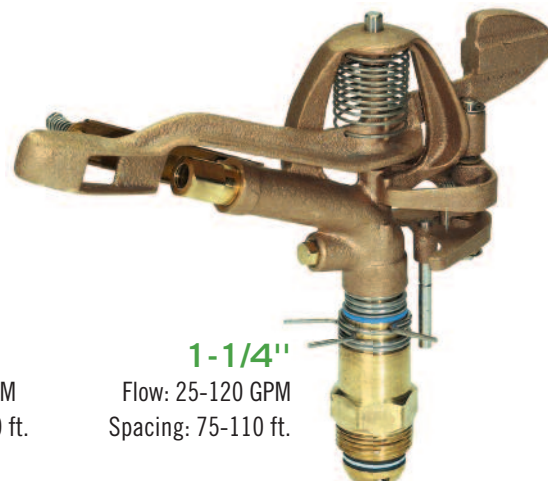
Underhill's SI100F 1" inlet brass impact atop the portable base RollerPro™ (see page 9) puts a powerful sprinkler anywhere you can run a hose.



**3/4"**  
Flow: 5-15 GPM  
Spacing: 40-60 ft.



**1"**  
Flow: 15-45 GPM  
Spacing: 50-80 ft.



**1-1/4"**  
Flow: 25-120 GPM  
Spacing: 75-110 ft.



### ordering

Part # VL-06 VersaLid™ 6"-7" valve box lid

### ordering

		GPM	Radius (ft.)
Part # SI075F	3/4" MPT Full Circle Sprinkler	13	57
Part # SI075P	3/4" MPT Part/Full Circle Sprinkler	11	48
Part # SI100F	1" MPT Full Circle Sprinkler	23	71
Part # SI100P	1" MPT Part/Full Circle Sprinkler	23	71
Part # SI125F	1-1/4" MPT Full Circle Sprinkler	51	96
Part # SI125P	1-1/4" MPT Part/Full Circle Sprinkler	54	78

Performance data shown at 80 psi. GPM and radius will vary with pressure at sprinkler

## VersaLid™

### UNIVERSAL REPLACEMENT LID FOR ALL VALVE BOXES

Reduce inventory and ordering hassles with the VersaLid™, the easy solution for broken or missing valve box lids. No need to guess what brand a buried box is or dig it up to find out - VersaLid's locking system "steps" to fit most valve boxes.



### features

- Stepped locking system
- T-Top design minimizes dirt in valve box
- Fits all 6"-7" round boxes
- Interchangeable, easy to install
- Greater top-load strength and more UV-resistant than structural foam lids

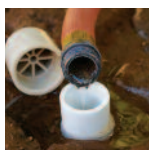


## DeepDrip™

### TREE WATERING STAKES

DeepDrip™ stakes allow you to water and fertilize your trees at the roots, encouraging deeper roots and healthier trees. Water gets underground fast, so you can water for shorter periods and enjoy considerable water conservation. They also help to aerate the soil with oxygen, and you can add fertilizer into the shaft to direct nutrients to the root zone. These versatile stakes are designed to work with a hose or automatic landscape drip systems, and come in three sizes. The 14.5” unit is ideal for small trees and shrubs with shallow roots, like rose bushes and ornamental trees (or in commercial use for trees still in boxes). The 24.5” stake is well-suited for most other tree varieties except for palm trees and similarly deeper rooted trees, which will benefit from the longer 36” stakes.

The DeepDrip’s reinforced tip and cap are made from ABS and the upper shaft is made from Schedule 40 PVC. Multiple holes in the bottom half of the spike, internally covered by a mesh filter, allow water to flow out but keep dirt from getting in and clogging the tube. The UV-protected cap acts as a reinforced cover when pounding the stake into the ground, keeps debris from entering the shaft and holds a 1/4” drip line/emitter securely in place. By inserting a screwdriver through the two holes at the top of the upper shaft, stakes can be easily pulled up to remove/reposition or rotated to deter root invasion.



DeepDrip™ watering stakes can be installed during or after tree planting. Once in, you have instant access to the root system for fertilizer delivery or to set up deep automatic drip watering.



### ordering

- Part # A-DD14 DeepDrip™ 14.5” watering stake
- Part # A-DD24 DeepDrip™ 24.5” watering stake
- Part # A-DD36 DeepDrip™ 36” watering stake



PRO KIT (faucet connection)



## MicroEase™

### MICRO-IRRIGATION KITS

Convert your current, inefficient irrigation into a highly effective, low-maintenance, water-saving drip system. MicroEase™ kits can connect to a water faucet, existing sprinkler system or 1/2” riser, providing efficient, low volume irrigation ideal for landscaping, shrubs and planter areas.



CONVERSION KIT (sprinkler/riser connection)



### ordering

- Part # ME-SS-PK MicroEase™ Pro Kit with spray spikes (25)
- Part # ME-8SS-PK MicroEase™ Pro Kit with 8-stream spikes (25)
- Part # ME-SS-SCK MicroEase™ Conversion Kit with spray spikes (9)
- Part # ME-8SS-SCK MicroEase™ Conversion Kit with 8-stream spikes (9)

# TurfSpy™

## EARLY STRESS DETECTION GLASSES

Disease, drought and weed invasion are plant and turf killers. But by the time you see them it can be too late. TurfSpy™ glasses, with stress detection technology developed by NASA, lets you “see into the future” to identify problems 2-10 days before they are visible to your naked eye. Keep your turf and vegetation healthy BEFORE serious problems arise.

### features

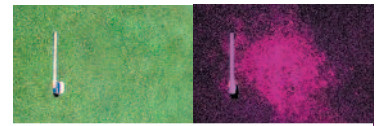
- Shatterproof/polycarbonate stress detection lens (ANSI approved safety lens)
- Wrap-around lens limits ambient light for optimal detection
- Sports frame with adjustable ear piece
- Lightweight case included



**HOW IT WORKS:** Dying vegetation absorbs and reflects sunlight differently than when it's healthy. The earliest signals occur at the outer limits of the human visual spectrum, and are rendered invisible compared to the predominant middle wavelengths. TurfSpy™ filters the light in the center so that fringe spectra, which show early plant stress, become visible.



fusarium patch



pythium blight



yellow patch (rhizoctonia)



brown patch



anthracnose



get a jump on broken or poor-performing sprinklers



highly efficient spot watering saves time and labor costs



poa grass invasion identified BEFORE it takes over



superior weed location and spraying saves time and money



### ordering

Part # NG655-01 TurfSpy™ Glasses and Deluxe Case

# CatchCan Pro™

## SPRINKLER PERFORMANCE TESTING SYSTEM

Stop Overwatering and Save! Poorly performing sprinklers often go unnoticed as watering times are gradually increased to compensate. Catch them in the act - accurately measure sprinkler application rate with an Underhill™ CatchCan Pro™ system.

### features

- Self standing easily anchors into turf, will also work on slopes
- Measures sprinkler application in inches or centimeters
- Unique design allows for shorter duration test
- Made of durable polypropylene engineered plastic
- Can be stacked for easy storage
- Each 10 pack kit comes with instructions.



### ordering

Part # CCPK-10 CatchCan-Pro™ 10-pack (includes directions)



20505 Crescent Bay Drive  
Lake Forest, CA 92630 USA

tel: (949) 305-7050

fax: (949) 305-7051

1-866-863-3744 • [www.underhill.us](http://www.underhill.us)



© 2009 Underhill International Corporation. All original equipment manufacturers, names and products presented in this publication are used for identification purposes only, and we are in no way implying that any of our products are original equipment parts. Hunter® is a registered trademark of Hunter Industries Incorporated.

Form No. UISWP-B09

Products that work...smart.™





## John Mascaro's Photo Quiz

### » Answer: from page 17

The marks on this green are tire marks as you might have suspected but what makes these tire marks unique is that the tires were on an airplane. The crash happened at about 11:30 am before a noon shotgun start, so luckily there were no golfers on the course. Since the plane's engine had died, it came in very quietly until it bounced off the golf green and crashed into the big oak trees behind the green. There was an off duty EMT working at the club that day who attended to the pilot (only minor injuries) and kept onlookers at bay

because fuel was leaking from the plane. Damage to the golf green was minimal and recovered in about 2 weeks however the oak tree died due to the fuel spill. The superintendent reported that the 18th hole had to be closed while the FAA investigated, so the outing played 17 holes that day. He also reported that removing the plane caused more damage to the course's turf than the plane crash itself.

*Photo submitted by Joel Peterson GCS, New Berlin Hills Golf Course, New Berlin, WI.*

If you would like to submit a photograph for John Mascaro's Photo Quiz please send it to John Mascaro, 1471 Capital Circle NW, Ste # 13, Tallahassee, FL 32303 or email to [john@turf-tec.com](mailto:john@turf-tec.com). If your photograph is selected, you will receive full credit. All photos submitted will become property of SportsTurf magazine and the Sports Turf Managers Association.

## Connect with the industry [www.sportsturfonline.com](http://www.sportsturfonline.com)

**Digital Archives:** Electronic flip books of the magazine

**Calendar of Events:** Find seminars, courses, trade shows, conferences and related information

**Marketplace:** Our online directory of industry manufacturers, dealers and distributors

**E-Newsletters:** The latest news straight to your "In" box

**Industry Jobs:** View the latest postings in our Career/Job Center

Through [www.sportsturfonline.com](http://www.sportsturfonline.com), we provide relevant content that will enhance our audience's ability to work smarter. In addition to feature stories, columnists, product information, and news from around the world, [www.sportsturfonline.com](http://www.sportsturfonline.com) also provides the latest industry **job postings**, **event listings**, **online directory**, and access to our **digital issues** and **e-newsletters**.





# “WE’VE BEEN MORE THAN SATISFIED WITH OUR CHOICE OF RIVIERA.”

In the tough current economy, sports fields especially need a fast, high-quality solution that saves major cost up front—and all year ‘round. Needing a “seeded bermuda that was cold tolerant and aggressive,” Kevin Moore and his crew chose Riviera for their new practice soccer complex. “We applied it at the end of June, and by the end of August we had a fantastic facility that was ready for play,” he says. Since then, they’ve tested other seeded varieties, and “Riviera consistently outperforms them all,” he adds. “We’ve been more than satisfied with our choice of Riviera.”

Across the U.S. and worldwide, sports turf managers like Kevin Moore of Bridgewater College of Virginia are recommending Riviera for its exceptional drought tolerance, cold tolerance, extreme wear tolerance, quick recovery rate, quick grow-in, greenup, top ranked turf quality and cost compared to other options.

*No. 1 in NTEP Trials for 10 Consecutive Years!\**

## % C O S T C O M P A R I S O N

Material	Planting Rate	% Cost of Riviera
<b>Riviera</b>	<b>2 lb./1000 square ft</b>	<b>100%</b>
High quality bermudagrass sprigs	500 bushel/acre	102%
High quality bermudagrass sod	Solid	653%
Cool Season Seed	10lb./1000 square ft	50%
Cool Season Sod	Solid (Fescue)	800%
Zoysia seed	2 lb./1000 square ft	135%
Zoysia sod	Solid	960%

*Planting costs may vary, but establishing bermudagrass by seeding is usually lower than by sprigging, and much lower than establishing with sod. Seeding requires less preparation than sprigging or sodding contributing to the reduced total cost of establishing with seed.*



**JOHNSTON SEED COMPANY**

The Cold-Tolerant Bermudagrass Experts

**800-375-4613**

*\*NTEP Trials for commercially available seeded bermudagrass.*