

# Precision™

**PATTERNS SO REMARKABLE, NOZZLES SO GOOD... THEY'RE PATENTED.**

It's hard to beat a variable spray nozzle for versatility...unless you have this set of solid metal fixed spray hose nozzles precisely engineered for specific watering needs. Millions of soft, uniform droplets provide rapid yet surprisingly gentle water application. From watering fragile seed beds to drenching sports fields, Precision™ spray patterns are designed with ideal flow rates and droplet sizes to offer you the ultimate solution for every hand watering application.



### Rainbow™

**LOW FLOW RATE:** LANDSCAPING, LIGHT WATERING  
Ideal for watering transplants and seed beds. Excels at lower pressure flows. **15 GPM @ 80 psi.**



### Rainmaker™

**LOW TO MEDIUM FLOW:** SYRINGE AND SPOT WATERING  
Perfect for syringing and great for hand watering turf and landscape with 3/4" hose at lower pressures. **23 GPM @ 80 psi.**



### Cloudburst™

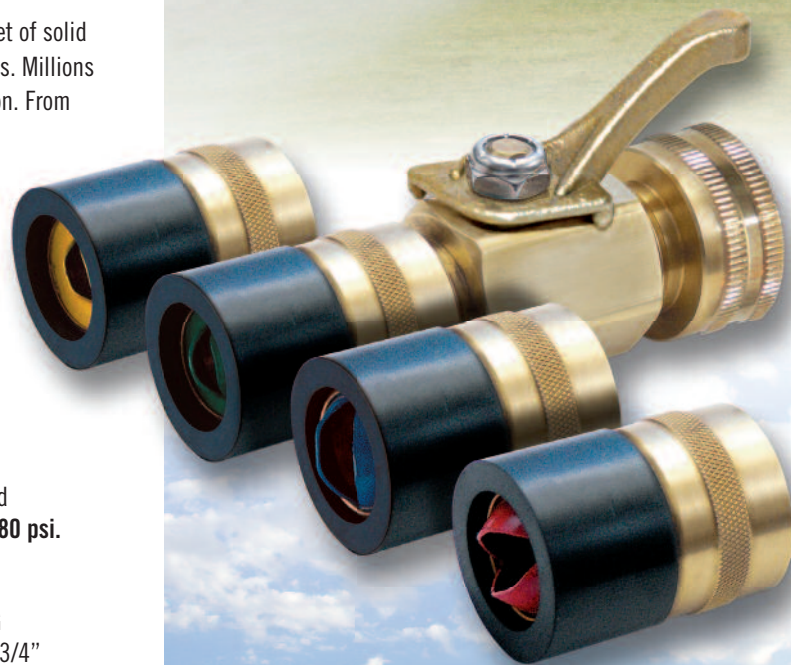
**MEDIUM TO HIGH FLOW:** SUPPLEMENTAL TURF WATERING  
High volume drenching and syringing. Ideal flow rate for 3/4" and 1" hoses. **48 GPM @ 80 psi.**



### Cyclone™

**HIGH FLOW RATE:** PRE-GAME SKINS WATERING, SOAKING  
Powerful fan-shaped spray covers a HUGE area - gets heavy watering jobs done quickly. Ideal flow rate for 1" hoses. **50+GPM @ 80 psi.**

GPM will vary with pressure at nozzle.



## high-flow valves



**HIGHEST FLOW VALVES AVAILABLE**

COMPOSITE / STAINLESS STEEL

- 3/4" hose thread inlet/outlet
- oversized handle
- up to 55 GPM

SOLID BRASS

- 3/4" hose thread inlet/outlet
- up to 50 GPM

## hose adapters / quick-connectors



## ordering

Part # HN1500 Precision™ **Rainbow™** Hose Nozzle  
Part # HN2300 Precision™ **Rainmaker™** Hose Nozzle  
Part # HN4800 Precision™ **Cloudburst™** Hose Nozzle  
Part # HN5000 Precision™ **Cyclone™** Hose Nozzle

Part # CV075H High-Flow 3/4" Valve - Brass  
Part # A-BV77FM High-Flow 3/4" Valve - Composite/Steel  
Part # A-BA107FM 1" FHT x 3/4" MHT Brass Hose Adapter  
Part # A-BA107MF 1" MHT x 3/4" FHT Brass Hose Adapter  
Part # A-BQ7M 3/4" Quick-Connect, male end  
Part # A-BQ7F 3/4" Quick-Connect, female end  
Part # HN-075W replacement washer, 3/4" hose

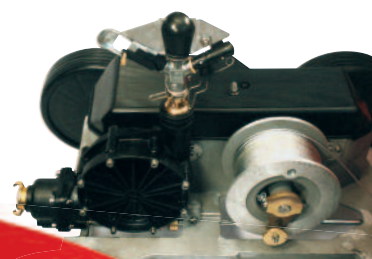
# Tracker™

## PORTABLE IRRIGATION MACHINE

The Tracker™ offers a very economical solution for supplementing seasonal watering needs of 1/4 acre to 2 acre areas. It is also ideal for irrigating athletic fields, cemeteries, golf course roughs, or other large areas where an underground system is impractical. Built to last with precision German engineering and high quality materials, this portable powerhouse can irrigate an entire football field in just two passes.

Tracker™ requires minimal labor to operate. Powered by water, it pulls itself along a nylon cable, dragging up to 360 ft. of 1" reinforced heavy-duty hose (sold separately). Each pass irrigates about 2/3 acre per 8 hours of operations.

Precision German engineering, high quality components...built to last!



## features

- Adjustable Speed Control: 20-70 ft./hr.
- 360 ft. nylon cable provides maximum irrigated length of 400 ft.
- Standard full or part circle sprinkler (8-15 GPM)
- 70-85 ft. pass width
- Automatic shut-off at end of pass
- Galvanized anchor stake
- Water turbine drive and gear box
- Includes 1" brass quick-connect adapter



## specifications

- Weight: 58 lbs.
- Size: Length 33", Width 22", Height 22"
- Materials: Aluminum, Brass, ABS



Use Tracker™ to help irrigate sports fields, golf courses, driving ranges, or supplement watering in other areas where an irrigation system is not available. Tracker's maximum 400 ft. irrigation path makes it also ideal for large campuses and corrals and its compact size allows it to operate in narrow spaces such as cemetery rows.

## ordering

Part # T-400	Tracker™ Portable Irrigation Machine
Part # A-BQ7M	3/4" Quick-Connect, male end
Part # A-BQ7F	3/4" Quick-Connect, female end



Solid brass one-piece quick coupler valves and valve keys can help you get your Tracker™ set up quickly.

See Pages 12-13

# RollerPro™

## PORTABLE SPRINKLER BASE

The 22" wide stainless steel roller of RollerPro™ provides a stable field position for supplemental watering. Designed for years of hard use, it is ideal for watering dry spots and newly seeded areas.

## features

- 22" wide stainless steel roller is weighted to prevent movement during use.
- Standard 1" FHT inlet x 1" female NPT outlet.
- 3/4" inlet and outlet adapters included.



RollerPro™ works with both 1" and 3/4" hoses and sprinklers using the included adapters. Sprinklers sold separately on page 12-13.



For larger irrigation needs (much larger), Mirage™ sprinkler heads have a throw radius up to 164 ft.!

## ordering

Part # A-RP221      RollerPro™

Included with each RollerPro™:

Part # A-BA107FM    1" FHT x 3/4" MHT Brass Hose Adapter

Part # A-BA107MF    1" MHT x 3/4" FHT Brass Hose Adapter



## LiquidPro™

### APPLICATOR GUN FOR LIQUID WETTING AGENT

When customers requested a liquid version of the PelletPro™, the proven combination of our Precision™ Cloudburst™ nozzle and the high-flow composite/stainless steel valve had us halfway there. We added a chemical-resistant, UV-protected, lightweight siphon/mixing system in between to produce an applicator gun which can cover 1000 square feet in less than a minute. Now, with unmatched speed and uniformity, you can virtually “paint” your turf with liquid wetting agent, fertilizers, and micronutrients. And like the PelletPro, LiquidPro disassembles easily to create the Cloudburst™ High-Flow Valve syringe nozzle.



With the included 1" FHT x 3/4" MHT brass adapter, LiquidPro™ works with both 3/4" and 1" hoses.

### features

- Patented Precision™ Cloudburst™ nozzle evenly distributes wetting agent ensuring uniform coverage. Made of aircraft aluminum and stainless steel.
- Lightweight, durable nylon construction weighs only 3 lbs., UV-protected and chemical resistant.
- High-density polybottle has full quart capacity with easy-to-read measurements in fluid ounces and milliliters.
- Needle Valve Metering Chamber: Engineered venturi siphon mixes proper amount of wetting agent into the water flow.
- Pistol grip design with textured handle provides sure grip surface and reduces operator fatigue.
- Adjustable metering dial offers 10 additive settings including “Water Only.”
- Metering dial can be removed to prevent tampering with a predetermined setting.



### 2 products in 1!

The Precision™ Cloudburst™ nozzle and high-flow valve can be quickly assembled to create a powerful, 48 GPM syringe nozzle.



### time saver!

Bring plenty of wetting agent, fertilizers, and micronutrients to the field all at once with our 6-pack of polybottles.

### ordering

Part # A-LPWA50K - LiquidPro™ Applicator Gun  
Part # A-LPWAB-6 - 6-Pack of 32 oz. Polybottles

# PelletPro™

## APPLICATOR GUN FOR SOLID WETTING AGENT TABLETS

We outfitted our heavy-duty surfactant applicator with a high-flow composite/stainless steel valve and a Precision™ Cloudburst™ nozzle to produce the finest wetting agent gun available. The PelletPro™ accepts all wetting agent tablets and is designed to provide powerful, yet ultra-soft spray when watering or applying surfactants to tight, hydrophobic soils.

### features

- 48 GPM capability gets the job done faster!
- Ultra Heavy-Duty - brass fittings, aircraft aluminum, stainless steel, and precision engineered glass-filled materials
- Patented Precision™ Cloudburst™ nozzle delivers large droplets in an outstanding fan pattern
- Pellet rotation (1 RPS) evenly dissolves/applies wetting agent tablet



With the included 1" FHT x 3/4" MHT brass adapter, PelletPro™ works with both 3/4" and 1" hoses.

PelletPro™ rotates pellets at 1 revolution per second (RPS) to evenly dissolve/apply wetting agent



### 2 products in 1!

Remove the PelletPro™ bowl and you have a superb syringe nozzle combo: the patented, 48 GPM Precision™ Cloudburst™ with our high-flow, oversized handle valve.



PelletPro's bowl, also sold individually, works perfectly as a replacement in-line filter bowl for most spray rigs. Heavy-duty, transparent plastic shows fluids. (No more cracked bowls during winter storage!)

### ordering

- Part # A-PPWA50K PelletPro™ Applicator Gun
- Part # A-PPB In-line Filter Bowl and Gasket
- Part # A-PPBG Bowl Gasket

## Quick Coupler Valves & Keys

### SOLID BRASS, SINGLE SLOT/LUG ESSENTIALS

Built to last, Underhill valves and keys are constructed of solid red brass and stainless steel.

Valves incorporate rugged one-piece design, and feature a spring-loaded high visibility vinyl cover.



Valve: Part # QV-075R  
(3/4" FPT inlet)

Key: Part # QK-075  
(3/4" MPT x 1/2" FPT outlet)

Valve: Part # QV-100R  
(1" FPT inlet)

Key: Part # QK-100  
(1" MPT x 3/4" FPT outlet)

Valve: Part # QV-150R  
(1-1/2" FPT inlet)

Key: Part # QK-150  
(1-1/2" MPT x 1-1/4" FPT outlet)



### hose swivels

Part # HS-075 3/4" FPT x 3/4" MHT outlet

Part # HS-100 1" FPT x 3/4" MHT outlet

Part # HS-101 1" FPT x 1" MHT outlet

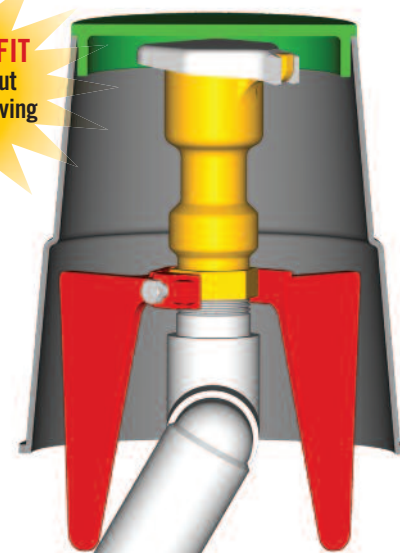
Part # HS-151 1-1/2" FPT x 1" MHT outlet

## The Claw™

### QUICK COUPLER MOTION RESTRAINT

When quick coupler valves become unscrewed from swing joints, it's more than just a hassle - it can be dangerous. The Claw™, new from Underhill, offers a simple solution. Embedded in the soil below the quick coupler, and then securely attached to its base, The Claw provides significant resistance to rotational, vertical and horizontal motion, preventing the valve from moving. Made from high strength ductile iron, this compact anchor attaches easily with a single steel bolt.

**EASY RETROFIT**  
Installs without  
cutting or removing  
valve box!



The Claw™ pictured with 1" quick coupler, key and hose swivel.

### ordering

Part # QC-075100 The Claw™ for 3/4" and 1" valves

Part # HS-150 The Claw™ for 1-1/2" valves

# Impact Sprinklers

## SOLID BRASS, ULTRA-RELIABLE WORKHORSES

For reliable, trouble-free, high-performance year after year, you just can't beat our brass impact sprinklers. Available in full circle and full/part circle, in inlet sizes of 3/4", 1" and 1-1/4"

### features

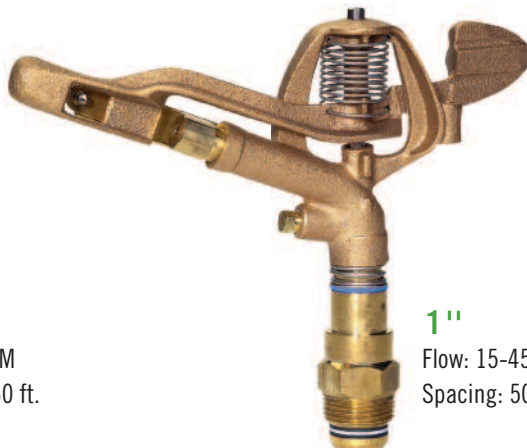
- Solid brass construction
- Stainless steel drive spring
- Bearing assembly hood for longer wear life
- Chemical resistant bearing seals
- Solid brass nozzle



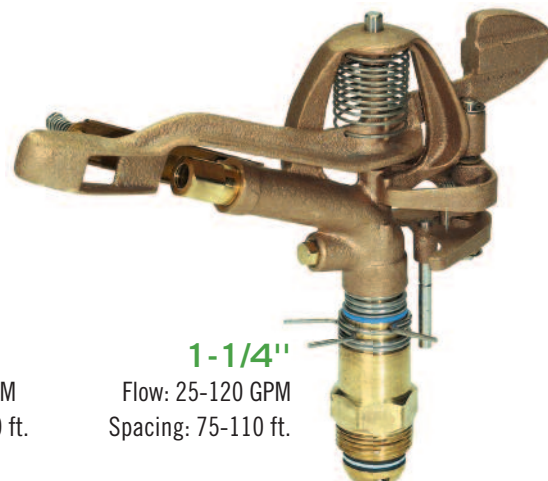
Underhill's SI100F 1" inlet brass impact atop the portable base RollerPro™ (see page 9) puts a powerful sprinkler anywhere you can run a hose.



**3/4"**  
Flow: 5-15 GPM  
Spacing: 40-60 ft.



**1"**  
Flow: 15-45 GPM  
Spacing: 50-80 ft.



**1-1/4"**  
Flow: 25-120 GPM  
Spacing: 75-110 ft.



### ordering

Part # VL-06 VersaLid™ 6"-7" valve box lid

### ordering

		GPM	Radius (ft.)
Part # SI075F	3/4" MPT Full Circle Sprinkler	13	57
Part # SI075P	3/4" MPT Part/Full Circle Sprinkler	11	48
Part # SI100F	1" MPT Full Circle Sprinkler	23	71
Part # SI100P	1" MPT Part/Full Circle Sprinkler	23	71
Part # SI125F	1-1/4" MPT Full Circle Sprinkler	51	96
Part # SI125P	1-1/4" MPT Part/Full Circle Sprinkler	54	78

Performance data shown at 80 psi. GPM and radius will vary with pressure at sprinkler

# VersaLid™

## UNIVERSAL REPLACEMENT LID FOR ALL VALVE BOXES

Reduce inventory and ordering hassles with the VersaLid™, the easy solution for broken or missing valve box lids. No need to guess what brand a buried box is or dig it up to find out - VersaLid's locking system "steps" to fit most valve boxes.



### features

- Stepped locking system
- T-Top design minimizes dirt in valve box
- Fits all 6"-7" round boxes
- Interchangeable, easy to install
- Greater top-load strength and more UV-resistant than structural foam lids



## DeepDrip™

### TREE WATERING STAKES

DeepDrip™ stakes allow you to water and fertilize your trees at the roots, encouraging deeper roots and healthier trees. Water gets underground fast, so you can water for shorter periods and enjoy considerable water conservation. They also help to aerate the soil with oxygen, and you can add fertilizer into the shaft to direct nutrients to the root zone. These versatile stakes are designed to work with a hose or automatic landscape drip systems, and come in three sizes. The 14.5” unit is ideal for small trees and shrubs with shallow roots, like rose bushes and ornamental trees (or in commercial use for trees still in boxes). The 24.5” stake is well-suited for most other tree varieties except for palm trees and similarly deeper rooted trees, which will benefit from the longer 36” stakes.

The DeepDrip’s reinforced tip and cap are made from ABS and the upper shaft is made from Schedule 40 PVC. Multiple holes in the bottom half of the spike, internally covered by a mesh filter, allow water to flow out but keep dirt from getting in and clogging the tube. The UV-protected cap acts as a reinforced cover when pounding the stake into the ground, keeps debris from entering the shaft and holds a 1/4” drip line/emitter securely in place. By inserting a screwdriver through the two holes at the top of the upper shaft, stakes can be easily pulled up to remove/reposition or rotated to deter root invasion.



DeepDrip™ watering stakes can be installed during or after tree planting. Once in, you have instant access to the root system for fertilizer delivery or to set up deep automatic drip watering.



### ordering

- Part # A-DD14 DeepDrip™ 14.5” watering stake
- Part # A-DD24 DeepDrip™ 24.5” watering stake
- Part # A-DD36 DeepDrip™ 36” watering stake



PRO KIT (faucet connection)



CONVERSION KIT (sprinkler/riser connection)

## MicroEase™

### MICRO-IRRIGATION KITS

Convert your current, inefficient irrigation into a highly effective, low-maintenance, water-saving drip system. MicroEase™ kits can connect to a water faucet, existing sprinkler system or 1/2” riser, providing efficient, low volume irrigation ideal for landscaping, shrubs and planter areas.

### ordering

- Part # ME-SS-PK MicroEase™ Pro Kit with spray spikes (25)
- Part # ME-8SS-PK MicroEase™ Pro Kit with 8-stream spikes (25)
- Part # ME-SS-SCK MicroEase™ Conversion Kit with spray spikes (9)
- Part # ME-8SS-SCK MicroEase™ Conversion Kit with 8-stream spikes (9)



# TurfSpy™

## EARLY STRESS DETECTION GLASSES

Disease, drought and weed invasion are plant and turf killers. But by the time you see them it can be too late. TurfSpy™ glasses, with stress detection technology developed by NASA, lets you “see into the future” to identify problems 2-10 days before they are visible to your naked eye. Keep your turf and vegetation healthy BEFORE serious problems arise.

### features

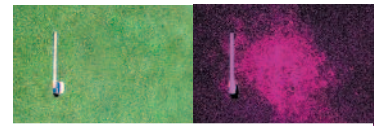
- Shatterproof/polycarbonate stress detection lens (ANSI approved safety lens)
- Wrap-around lens limits ambient light for optimal detection
- Sports frame with adjustable ear piece
- Lightweight case included



**HOW IT WORKS:** Dying vegetation absorbs and reflects sunlight differently than when it's healthy. The earliest signals occur at the outer limits of the human visual spectrum, and are rendered invisible compared to the predominant middle wavelengths. TurfSpy™ filters the light in the center so that fringe spectra, which show early plant stress, become visible.



fusarium patch



pythium blight



yellow patch (rhizoctonia)



brown patch



anthracnose



get a jump on broken or poor-performing sprinklers



highly efficient spot watering saves time and labor costs



poa grass invasion identified BEFORE it takes over



superior weed location and spraying saves time and money



### ordering

Part # NG655-01 TurfSpy™ Glasses and Deluxe Case

# CatchCan Pro™

## SPRINKLER PERFORMANCE TESTING SYSTEM

Stop Overwatering and Save! Poorly performing sprinklers often go unnoticed as watering times are gradually increased to compensate. Catch them in the act - accurately measure sprinkler application rate with an Underhill™ CatchCan Pro™ system.

### features

- Self standing easily anchors into turf, will also work on slopes
- Measures sprinkler application in inches or centimeters
- Unique design allows for shorter duration test
- Made of durable polypropylene engineered plastic
- Can be stacked for easy storage
- Each 10 pack kit comes with instructions.



### ordering

Part # CCPK-10 CatchCan-Pro™ 10-pack (includes directions)



20505 Crescent Bay Drive  
Lake Forest, CA 92630 USA

tel: (949) 305-7050

fax: (949) 305-7051

1-866-863-3744 • [www.underhill.us](http://www.underhill.us)



© 2009 Underhill International Corporation. All original equipment manufacturers, names and products presented in this publication are used for identification purposes only, and we are in no way implying that any of our products are original equipment parts. Hunter® is a registered trademark of Hunter Industries Incorporated.

Form No. UISWP-B09

Products that work...smart.™