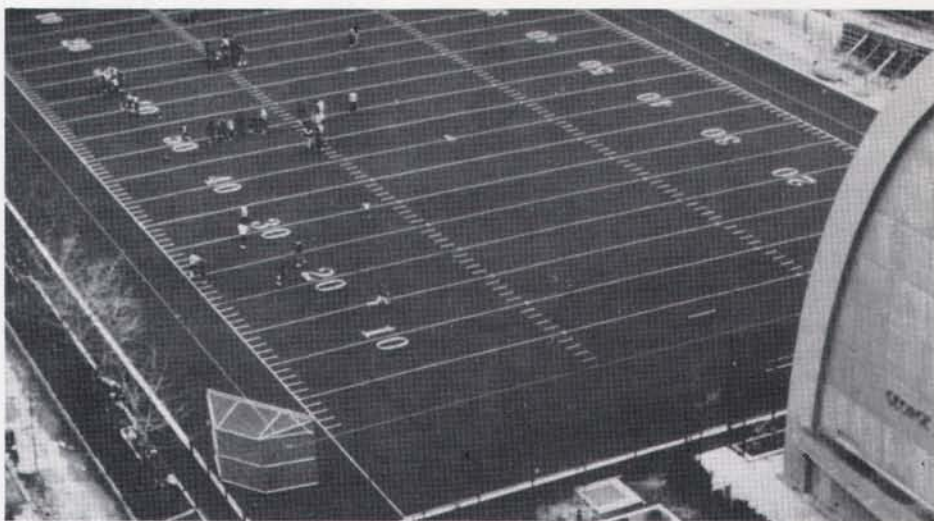


ASPHALT PLANT CONVERTED TO URBAN SPORTS CENTER

The streets of New York City are paved with asphalt, although some say they're paved with gold. Until 1968, much of that asphalt came from a structure shaped like half a barrel between Harlem and one of Manhattan's most affluent residential neighborhoods. Developers couldn't wait to convert the plant and the adjoining store yard into more apartments when the plant closed.

The residents of the area, both poor minorities and the affluent, fought instead for a sports center in a unique display of cooperation. Led by Dr. George Murphy, a professor at Cornell Medical University College, the Asphalt Green Coalition knocked on doors and collected more than 29,000 signatures and nearly \$2 million to demonstrate community interest in a recreational center. Impressed by the spirit and unity of the mixed coalition, the city gave the developers a cold shoulder and jumped on the Asphalt Green band wagon to the tune of \$2.6 million.

The coalition became The Asphalt Green Sports, Arts and Environmental Center with city-sponsored classes for school children and a broad assortment of activities based upon user fees and private memberships. It was clear to Rory Morlos, executive director of the center, that the demand for a field constructed on the site of the asphalt store yard would be tremendous.



Both rich and underprivileged athletes compete on the football field recently constructed on the former site of a New York City asphalt plant.

Surrounded by five-story apartment buildings and exposed to almost constant use, the field was a perfect candidate for an artificial surface. The surface selected and installed was a drain-through asphalt base and Astro-Turf-8 from Monsanto. The field was dedicated last month with the first games played by the Eagle Squadron Touch Football League, consisting of more than 240 teenagers from mixed backgrounds.

"The field has really helped us getting kids of different socio-economic backgrounds playing together," says Morlos. Dr. Murphy also had the wish that the city kids could play on a surface like the one they saw on television. The doctor and the kids got their wish and the Asphalt Green Center serves as a hub to recreational activities in the once segregated community.

We've been keeping
Sports Turf Green for 78 Years

THOMPSON
IRRIGATION EQUIPMENT SINCE 1907



**Seven (7) Good Reasons
to use THOMPSON for
Your Turf Irrigation:**

- SEVEN (7) YEAR UNCONDITIONAL GUARANTEE.
- LESS MAINTENANCE.
- LOWER COSTS.
- VANDAL RESISTANCE.
- SAVES WATER.
- SAVES ENERGY.
- HEAVY DUTY (Brass & Cast Iron)

Are you tired of spending your maintenance dollars and labor on DISPOSABLE plastic sprinklers?

Thompson offers you a REPAIRABLE brass sprinkler with low maintenance and usable life of minimum twenty-five (25) years. Think about it!

THOMPSON MANUFACTURING COMPANY
DIVISION OF JENNISON ENTERPRISES, INC.

4832 Chino Avenue • Post Office 1500
Chino, California 91708 • (714) 591-4851

Olathe MODEL 37-38 AERO SEEDER

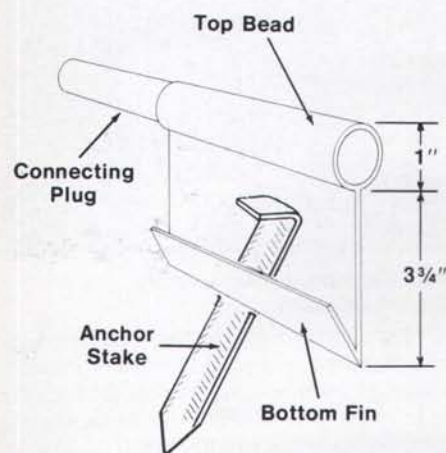
- SLITS, SEEDS, AND BROADCAST AT THE SAME TIME
- CAN BE USED ON BARE DIRT OR TURF
- 3" CENTERS, 30" SWATH
- CAT. 1 FOR TRACTORS UP TO 25 HP
- REVERSE ROTATION ON BLADES FOR REDUCED POWER REQUIREMENTS
- VARIABLE SEED CONTROL FOR TWO-SEED HOPPERS
- TOP DRESSING COVERS BETWEEN SLITS FOR FULLER COVERAGE



ROOKIES

PRODUCT UPDATE

FLEXIBLE BED DIVIDER



Black Diamond bed divider is a complete system of polyethylene edging, stakes and connectors for simplified installation. The flexible divider will not deteriorate under extreme weather conditions, yet remains flexible to fit plant bed contours and resist abrasion. Anchored by metal stakes and a v-shaped bottom fin, the divider resists frost heave.

Various angled connectors allow for square or angled corners. No special tools are required to cut or install the divider. Changes or additions to fit any new shape or size are easily performed.

VALLEY VIEW SPECIALTIES CO.

Circle 141 on Reader Service Card

LANDSCAPE INSECTICIDE

Key turf and landscape insects are controllable with Turcam insecticide from Nor-Am Chemical Co. Turcam is effective against surface and subsurface pests of turf, as well as major pests of trees, shrubs and flowers.

The subsurface turf pests Turcam is recommended to include a variety of white grubs, mole crickets and billbugs. Surface pests controlled include chinch bugs, leafhoppers, sod webworms, ants, spiders, wasps, centipedes and fleas, and fire ants. Nor-Am recommends treatment with a coarse, low-pressure spray in sufficient water to obtain complete and uniform coverage.

Application of Turcam spray to the point of run-off is advised for pests of landscape trees, including gypsy moth, Eastern tent caterpillar, Japanese beetle, bagworm, bronze birch borer, cankerworm, pine tip

moth and pine weevils. Both foliage and bark should be sprayed.

The broad-spectrum insecticide can also be used on a wide assortment of flowers and shrubs for aphids, scales, mealybugs, leafminers and lacebugs. It is one of a limited number of pesticides that is labelled for use on interior plants.

NOR-AM CHEMICAL CO.

Circle 142 on Reader Service Card

WATER-POWERED INJECTOR



No external power is needed to inject fertilizers and chemicals into irrigation systems with the Amiad injector. Powered by the pressure of the irrigation system, the unit injects up to 1.5 gallons per minute of liquid into the irrigation mains depending upon the pressure in the system. Pressures from seven to 170 psi will operate the injector.

Constructed of chemical-resistant plastics, stainless steel and Viton seals, the unit is supplied with most necessary pipes, fitting and accessories for immediate installation. The injector can be fitted with pulse transmitters for use with electronic controllers. Suction and gravity feed units are also available. Both hydraulic and automatic cut-out units are offered.

Since the pump's maximum rate of injection is proportional to the pressure in the main line, the injection rate is adjusted by controlling the rate into the main with a 3/4 inch hand valve. Complete installation and adjustment instructions are provided with the unit to assure safe and reliable operation.

AMIAD U.S.A.

Circle 143 on Reader Service Card

SELF-PROPELLED SPRINKLER



The RainCoach is a commercial grade, portable sprinkler for irrigating large open turf areas. The rugged sprinkler travels on a cable 300 feet long (450 feet optional). The cable is rolled out and staked. When the RainCoach reaches the end of the stake it turns off automatically.

Driving power is supplied by two nozzles on opposing driving arms. The spray pattern varies from 108 to 145 feet in width enabling the unit to irrigate an area roughly 140 feet wide and 450 feet long in five to eight hours with the standard 300 feet of cable.

BUCKNER, ROYAL COACH

Circle 144 on Reader Service Card

SUMMER DISEASE CONTROL

A granular combination of fungicide and fertilizer from O.M. Scott's Proturf Division offers prevention and control of five common summer turfgrass diseases.

Fertilizer Plus Fungicide VIII provides a light feeding to most cool and warm season turfgrasses in addition to fungicides for dollar spot, leaf spot, red leaf spot, Fusarium patch and brown patch. The product is recommended for use on bentgrass, Kentucky bluegrass, bermudagrass, ryegrass, fine fescue, tall fescues and annual bluegrass. A choice of application rates are provided depending upon the severity of infestation and the type of protection desired. The fungicides work through both contact and systemic action.

The fertilizer in the mix contains slow-release nitrogen, phosphorus and potassium at a 23-3-3 ratio. Fertilizer Plus Fungicide VIII can be applied from the bag any time of the year with a drop-type or rotary spreader. The company has a product with the same ingredients in a fluid formulation.

O.M. SCOTT & SONS

Circle 145 on Reader Service Card



Get it right the first time. Every time.

The new Lasco 360° Swing Joint Assembly provides all the adjustments needed to make sure risers end up in exactly the right place at just the right height.

There are three planes of 360° adjustment for sprinkler heads. So it can't miss. It's designed for constant water pressure exerted on valve-in-head sprinkler systems. Special threads avoid split fittings from over-torquing and make sure there's freedom of movement. And elastomer seals allow making adjustments without making leaks.

Site-supplied pipe-lengths and nipples customize the sizing. For descriptive bulletin and prices, see your distributor or write to: Lasco, Anaheim, CA 92806.

Patent applied for.)

LASCO
the strongest link

Warehouses in:

California, Florida, Maryland, Texas,
Colorado, Illinois, Tennessee, Washington

ROOKIES

PRODUCT UPDATE

ONE MAN TRENCHER



Trenchmaster takes the sweat out of burying water pipe, cable, and small gas lines. It saves time and money, making trenching a very quick and easy one-man operation.

It will dig from ten to 30 feet per minute, leaving a trench that is 1½ inches to two inches wide and seven inches deep, with all the dirt piled neatly beside the trench for easy refilling. This gives the most profes-

sional look possible, with virtually no damage to the turf.

Trenchmaster can easily be loaded by one man. It features a heavy-duty industrial-commercial series Briggs and Stratton five-hp motor, replaceable steel alloy tips, and all-steel construction. It is designed for maximum use with minimum maintenance.

BROWN MFG. CO.

Circle 128 on Reader Service Card

POND WEED CONTROL

Landscape ponds choked by unsightly weeds can be made more attractive with a new aquatic weed control product called Sonar, recently registered with the Environmental Protection Agency.

This new herbicide removes pondweed, coontail, waterlily, duckweed and many other water weeds without affecting water quality or wildlife, as shown by extensive testing on lakes, ponds and reservoirs throughout North America.

Unlike previous products, Sonar carries no label restrictions against fishing or swimming in treated water or drinking it. Thus the herbicide can be applied (in both pelleted and liquid forms) without interrupting water use.

Sonar has no detrimental effects on fish, game birds, insects or other organisms such as plankton. It is not harmful to nearby trees and shrubs that are not growing in the water. If applied when aquatic plants are small, it controls them throughout the season.

Sonar controls a wide range of submersed and emersed plants and shoreline grasses, but does not control algae. Water chemistry and quality are not affected. There is no change in the dissolved oxygen content, no sudden growth of algae and no unsightly effects on target weeds.

Sonar works by causing a bleaching or chlorosis on the terminal bud or growing points of the plants.

ELANCO PRODUCTS CO.

Circle 129 on Reader Service Card

TERRA—THE VERSATILE ONE



LOW MAINTENANCE

- Stadiums
- Soccer Fields
- Baseball Fields
- Playgrounds
- Polo Fields
- Parks
- Greens
- Fairways
- Tees
- Lawns
- Fringes

ANY TURF AREA — LARGE OR SMALL

CONTACT YOUR TERRA DISTRIBUTOR OR:

Terracare Products Co., Inc.
P.O. BOX 506, PARDEEVILLE, WI 53954
(608) 429-3402

Adjustable Temperatures to 650° C.

LEISTER GHIBLI REPAIR, WELD, MODIFY PLASTICS

- Light weight
- Heavy Duty
- Double Insulated
- Hand Held
- Adjustable Temperatures
- 110 or 220 Volt
- Attachment Nozzles Available



Call or write for
brochure 38S1

The Ghibli Hot Air can also be used for soldering, de-soldering, body leading, shrinking, drying, heating, de-icing.

BW

brian r. white company, inc.

313 henry station road
ukiah, california 95482
(707) 462-9795
eatontown, nj (201) 544-1212
akron, oh (216) 253-4044

Distributors'
inquiries invited.

LEISTER

MOTOROLA.

Your Source For RADIO Control Of..

- IRRIGATION
- LIGHTS
- GATES
- PUMPS
- PARK VANDALISM



... Is Now A Reality.

You can control all of the above plus many other functions through a Central Computer from one or as many locations as you choose.

Via **RADIO** or Wire-Line.

MOTOROLA
ELECTRONIC COMMAND & CONTROL SYSTEMS

4930 EAST YALE AVENUE
FRESNO, CA 93727 • (209) 454-0551

For detailed information contact us today.



Motorola and (M) are registered trademarks of Motorola, Inc.

Wherever Motorola sells, our product is backed by service. In the U.S., we have 900 authorized or company-owned centers. In addition, our products are serviced throughout the world by a wide network of company or authorized independent distributor service organizations.



MOTOROLA
ELECTRONIC COMMAND & CONTROL SYSTEMS



ROOKIES

PRODUCT UPDATE

LOW PROFILE MOWER



Middlesworth Engineering and Manufacturing has introduced a new low profile, low center of gravity mower for hillside and slope operation. The "Series of riders has a zero turning radius, hydrostatic rear-wheel drive and excellent maneuverability.

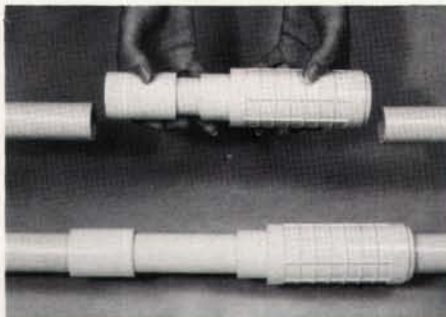
Powered by an 18-hp industrial/commercial engine, the mowers have individual units that are free to pivot and follow the contour of the ground without scalping. Flail or ro-

tary mowing units are available in cutting widths from 48 to 70 inches. A one-piece 54-inch rotary deck is also available.

MIDDLESWORTH ENGINEERING

Circle 130 on Reader Service Card

PVC REPAIR COUPLING



The telescoping Slip-Fix from AMS Plastics eliminates the need to dig large areas to repair PVC pipe in the ground. After the broken area of the pipe is removed, the

coupling can be telescoped to slip over both ends of the undamaged pipe. Permanent solvent welds on each end prevent the coupling from slipping loose. The result is a solid connection which does not need to be braced and remains as flexible as the section of pipe it repaired.

AMS PLASTICS

Circle 131 on Reader Service Card

TALL FESCUE BLEND

Three improved fine-leaf tall fescues have been combined by Ferry-Morse Seed Company to provide heat and drought tolerant turf. Olympic, Falcon and Mustang turf-type tall fescues are in the Gold Tag II Tall Fescue Blend.

Each component has finer, darker green leaves than older tall fescue varieties and performs well in both sun and shade. Deep roots and hardy foliage make the tall fescues both drought and wear tolerant.

FERRY MORSE SEED CO.

Circle 132 on Reader Service Card

a new angle on turf aeration

AerWay angled-tine aeration means lush, more vigorous turf for golf courses, playing fields, sod farms, cemeteries and parks.

- Easy "hitch & go" operation; low maintenance
- Affordable price; minimal operating cost; saves on water and fertilizer
- "Shatters" and cultivates soil to 8" depth; leaves turf playable; helps prevent ponding

patented around the world

AerWay

exclusively from Holland

Your local AerWay dealer is ready to arrange a personal demonstration. Call or write your nearest Holland office for details.

20 Phoebe Street, Norwich, Ontario N0J 1P9 (519) 863-3414

17909 Roan Place, Surrey, B.C. V3S 5K1 (604) 574-7491

1301 Martinez Lane, Wylie, Texas 75098 (214) 442-3556

Circle 108 on Reader Service Card



Choice ... of the pros.

When professionals talk about turf clean-up products—whether it's sweepers, blowers, power rakes, or vacuums—Parker is the choice. Maybe it's because people know us ... we've been around for more than 100 years.

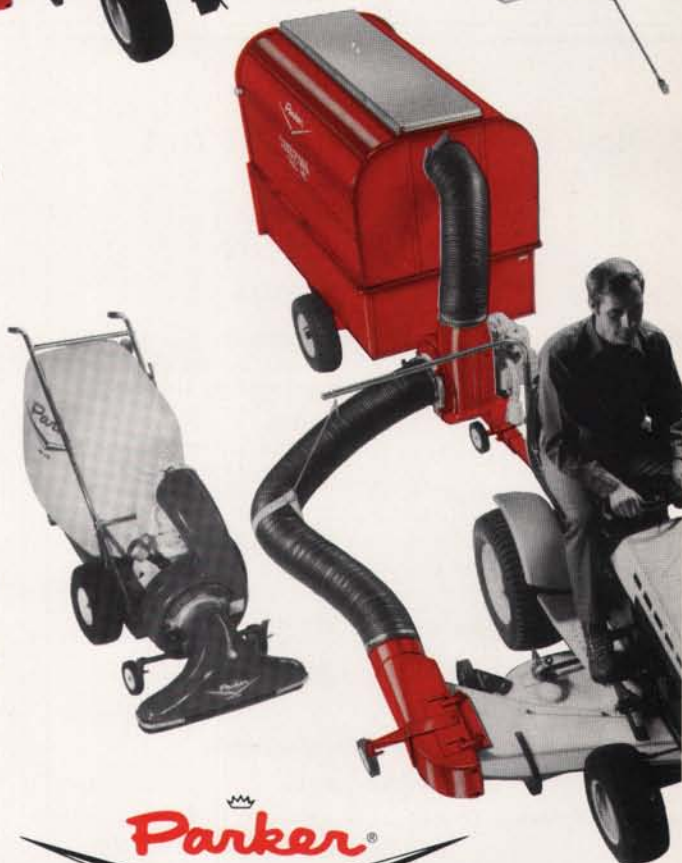
Or maybe, it's because we make great products. They're tough, durable ... made to last. Parker's research, engineering and thorough field testing assure that whichever product you buy, it's the best value on the market.

Take the Parker VAC-35. It cleans 550 sq. ft. in one minute. It has a choice of 8 models ... plus 6 optional accessories, so you can practically custom design the sweeper to fit your needs exactly.

Or the Parker Scavenger. It's 3 clean-up tools in one: a powerful, 5 hp vacuum, a burly blower, and a convenient spot cleaner.

Or the all-new Parker Conestoga™ Trail Vac line. Just hitch it to a mower or tractor and mow, vacuum, and collect in one easy step. It comes in 14, 28 and 44 cu. ft. models, and its universal boot* fits almost any right or left hand discharge mower deck. What's more, the Trail Vac can easily be converted to a utility cart*.

Learn more about the expanded Parker line and the new Conestoga Trail Vacs from your Parker dealer. Get in touch today ... or give us a call at (513) 323-4901.



Parker

PARKER SWEEPER COMPANY

Box 1728 • Springfield, Ohio 45501-1728

*Patent applied for

ROOKIES

PRODUCT UPDATE

REMOTE MOISTURE SENSING

An irrigation manager, park superintendent or golf course superintendent can monitor the soil moisture status at various places throughout his landscape or golf course without leaving his desk. Irrrometer's Remote Sensing System greatly reduces the labor involved in obtaining soil moisture readings and checking instruments for possible servicing needs.

The system utilizes true tensiometers combined with a data collection unit to report moisture readings to a computer upon demand. It also provides the manager with information on problem locations that are being severely under-irrigated and causing the moisture-sensing Irrrometers to break suction.

It avoids the inaccuracies of weather-based estimates of ET and the complicated formulas that use crop coefficients to establish an estimate of plant/turf need for water.

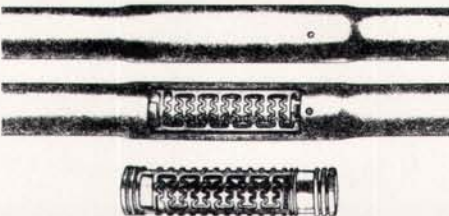
The Remote Sensing System is compat-

ible with most of the newest generation of computer irrigation control systems. It can also be used independently with any personal computer to provide instantaneous information on soil moisture trends for precise irrigation scheduling.

IRRROMETER COMPANY, INC.

Circle 133 on Reader Service Card

DRIPLINE EMITTER HOSE



Drip irrigation goes underground with Submatic's subsurface irrigation system. Jointless emitters are preinstalled into the tubing every two feet. Each turbulent flow emitter irrigates a four square foot area at a

precipitation rate of .20 inches per hour at 20 psi. Only four gallons of water per minute are needed for each 1,000 ft. of dripline.

SUBMATIC IRRIGATION SYSTEMS

Circle 140 on Reader Service Card

BASE ANCHOR SCOOP

Replacing bases is an annoying task when the anchor sleeves are plugged with dirt. This time-consuming chore has been simplified with the use of a simple tool called the Base Scoop. This tool speeds up base placement by scooping out dirt from standard 1 5/8 inch square base anchor sleeves quickly and easily.

Made of 20-gauge stainless steel, the angled Base Scoop fits the anchor sleeves to remove dirt and rocks blocking the base stem. As a result, bases fit securely and flush with the infield assuring greater safety for sliding baserunners.

JOHNSON BASE SCOOP CO.

Circle 126 on Reader Service Card

Players Ask For Natural Turf

Give them...

PRESCRIPTION

ATHLETIC TURF SYSTEM

PATENTED

- Suction Pumping
- Moisture Sensing
- Automatic Subirrigation

PRACTICAL

- Flat Surface
- The BEST in Water Management
- Never Muddy
- Tolerates Frequent Use

PRESCRIBED

- Exact Standards
- Installed By a License

PROVEN

- In pro, university, high school fields.

FOR FOOTBALL, BASEBALL, SOCCER, INTRAMURALS

Plan for the BEST

Including a 2-year Advisory Service

Write for literature & list of licensees:

Turfgrass Services Inc.

643 N. Sharon Chapel W. Lafayette, IN 47906

317/743-9477

W.H. Daniel

CALIFORNIA'S SPORTSTURF SEED COMPANY

- Offers a wide range of turfgrass, flower, native, legume and reclamation grass seeds.
- Has nine experienced salespeople ready to help tackle your problems.
- Custom blends and packages to your specifications.
- Has its own fleet of trucks to assure prompt delivery.
- Has been serving California since 1922.



**STOVER SEED
COMPANY**

1415 E. 6th St. • BOX 21488
LOS ANGELES, CA 90021 (213) 626-9668