

CHEMICAL LOG

Ornamental Herbicide Update

By Dr. Tim R. Murphy

The number of herbicides for use in ornamental beds has increased in recent years. Grounds managers now have a wide array of herbicides to use in a variety of ornamental weed control situations.

As with all pesticides, read all label directions carefully before applying. Consult the manufacturer for a complete list of labeled plants. The following are either new products or changes in current herbicide labels.

BASF has introduced Vantage (sethoxydim) for weed control in broadleaf ornamentals. Sethoxydim was previously marketed for ornamentals under the trade name of Poast. BASF will concentrate their marketing efforts in ornamentals with sethoxydim under the trade name of Vantage.

There are several key differences between Vantage and Poast. Vantage is a 1.0 pound per gallon formulation of sethoxyim and contains a surfactant. It is not necessary to add additional surfactant to Vantage.

Poast is a 1.5 pound per gallon formu-

lation of sethoxydim and does not contain a surfactant. With Poast, it was necessary to add a crop oil concentrate to the final spray mixture.

Grounds managers now have a wide array of herbicides to use in a variety of ornamental weed control situations.

Similar to Poast, Vantage is labeled for use on a wide variety of ornamentals trees, shrubs, annual and perennial flowers, and ground covers. Vantage will control most emerged annual and perennial grasses. Vantage will not control broadleaf weeds, nutsedges or annual bluegrass.

Key factors to optimize the efficacy of Vantage are:

- Apply to actively growing (not drought stressed) grasses at the growth stage shown on the label.

- Do not apply Vantage if rainfall is expected within one hour of application.

- Do not cultivate beds five days before or seven days after application if you use mechanical cultivation equipment.

Most broadleaf ornamentals are tolerant to over-the-top applications of Vantage. However, at excessively high rates, 'Snow' azalea, *Potentilla* spp., Japanese privet, and Snow-in-the-Summer have been injured by Vantage. Refer to the Vantage label for a complete listing of labeled ornamental plants.

For years, yellow nutsedge has been a major problem in ornamental plantings. Historical options for control have been to kill all existing weeds prior to planting, using Eptam, Roundup, and more recently, Pennant. BASF has recently labeled bentazon under the trade name of Basagran T/O. However, Basagran T/O is not registered in California.

Bentazon has good to excellent post-emergence activity on annual sedges, yellow nutsedge, and many broadleaf weeds such as chickweed, cocklebur, wild mustard and jimsonweed. Bentazon is not effective for the control of purple nutsedge or annual and perennial grasses.

Basagran T/O is currently labeled for post-directed applications to 38 species of ornamental trees and 30 species of ornamental shrubs. A particularly attractive feature of Basagran T/O is that it is labeled as an over-the-top application to English ivy, liriopse and pachysandra. Refer to the label for a complete listing of labeled ornamental plants. Key factors to optimize the activity of Basagran T/O are:

- Add a crop oil concentrate to the spray mixture when treating certain weeds.

- Apply to actively growing weeds at the growth stages shown on the label.

- Do not apply if rainfall is expected within eight hours of application.

For many years, Surflan has been used to control annual grasses and certain broadleaf weeds in ornamental plantings.

In 1991, DowElanco introduced a

**SPARSHOLT
COLLEGE
HAMPSHIRE**

SPECIALIST STUDY COURSES

Near Winchester

England's Ancient Capital

Sparsholt College, in the heart of rural Southern England, provides a number of courses of interest to those intending to develop a career in the care and maintenance of all Sports Turf and the Planning and Management of Golf Courses and Sports Field areas, notably:-

- National Certificate in Greenkeeping and Sportsground Management (one year - September to June)
- National Diploma in Horticulture - Sportsground Management (three year Sandwich Course)

Previous experience is necessary but an entry route through an introductory - First Diploma - course in Horticulture is an alternative.

We'd love to send you further details - just ask our Courses Adviser, Sparsholt College, Hampshire, Winchester, SO21 2NF, England.
Telephone: 011 44 962 72 441 or Fax: 011 44 962 72 587.



Certain preemergent herbicides can control weeds around ornamental trees, shrubs, and groundcovers.

prepackaged mixture of the active ingredients in Surflan (oryzalin) and Gallery (isoxaben) for use in ornamentals. Snapshot 80 DF is dry flowable, sprayable formulation that contains 0.2 pounds isoxaben and 0.6 pounds of oryzalin per pound of formulated product. This preemergence herbicide will control a wide variety of annual grass and broadleaf weeds. Among the weeds controlled are crabgrass, annual bluegrass, fall panicum, spotted spurge, shepherds purse, sowthistle, prickly sida and woodsorrel. Snapshot is strictly a pre-emergence herbicide and applications must be made prior to weed seed germination. It is not effective for the control of nutsedge or established weeds.

Snapshot is labeled on a wide variety of ornamental trees, shrubs and groundcovers. It is not recommended for use in bedding plants. Research is being conducted at various locations in the United States to identify bedding plants that are tolerant to Snapshot. It may be used in established or newly transplanted ornamentals. On new transplants, delay the application of Snapshot until the soil has been settled by rainfall or irrigation, and no cracks in the soil are present. Refer to the label for a complete listing of labeled ornamental plants.

Snapshot is now available in a granular formulation as Snapshot 2.5 TG. This formulation contains 2.0 percent trifluralin and 0.5 percent isoxaben. It is labeled for control of 86 broadleaf and annual grassy weeds, and for use on a wide variety of landscape ornamentals and ground covers. Check the label for specific plants. Apply the herbicide using a properly calibrated drop

or rotary spreader. You can apply it directly over the top of established labeled plants.

The liquid herbicide Pennant has been approved for numerous nursery and landscape plants for several years. Recently, the Environmental Protection Agency (EPA) approved several improvements to Pennant's label. The new label adds more than 50 desirable plants to the list of landscape plants on which you can use the herbicide. Additionally, Ciba-Geigy has a 5.0-percent granular formulation of Pennant for use on turf and ornamentals.

The preemergence herbicide will control a wide variety of weeds, including yellow nutsedge. Apply before weed germination or remove all weeds before spraying.

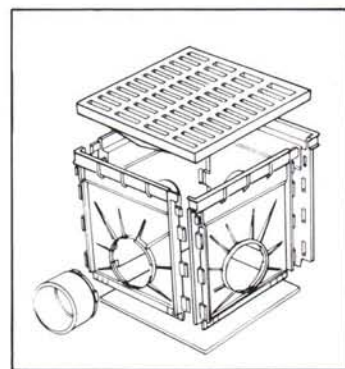
For 1992, Ciba-Geigy has introduced Derby, a granular herbicide that combines the active ingredients in Pennant (metolachlor) and Princep (simazine) to control many annual grasses, selected broadleaf weeds, and yellow nutsedge. Derby is a granular product that is labeled for a broad spectrum of ornamentals and other landscape plants. Refer to the label for a complete list of the labeled plants.

Princep is a liquid preemergence herbicide that is now being packaged and marketed specifically for turf and ornamentals. It controls a wide variety of annual broadleaf and grassy weeds when used at selective rates on ornamentals. Refer to the Princep label for a complete list of labeled ornamental plants. □

Tim R. Murphy is the extension agronomist-weed science for The University of Georgia, Athens, GA.

BIG DRAINAGE PROBLEMS?

**Our 18" x 18" Catch
Basin is the answer!**



- It's expandable in 18" increments.
- Fits 3" to 8" sewer and drain pipe or corrugated pipe.
- Easy to install, less labor intensive, and more economical than concrete basins.
- Made of structural polymers.
- Grates are available in black, green, and gray.

NDS offers a full line of exterior surface drainage products. Please call or write for more information.



NATIONAL DIVERSIFIED SALES, INC.

3001 Mission Oaks Blvd.
Camarillo, CA 93011
(800) 726-1994

CA (805) 389-6700
FAX (800) 726-1998

Circle 117 on Postage Free Card